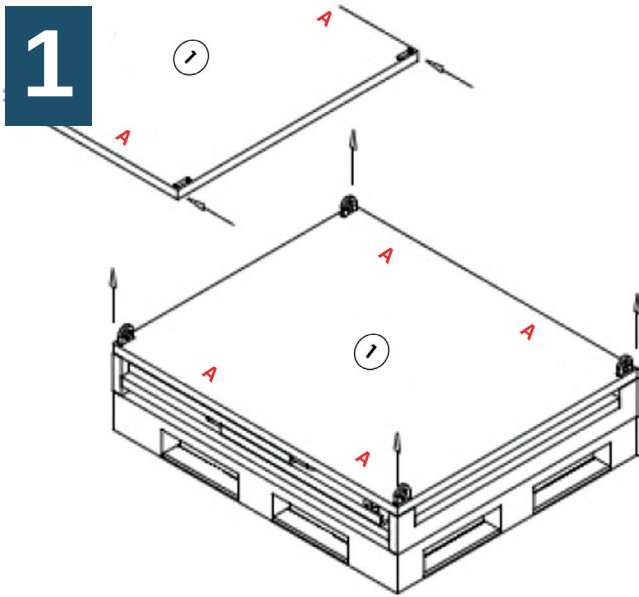
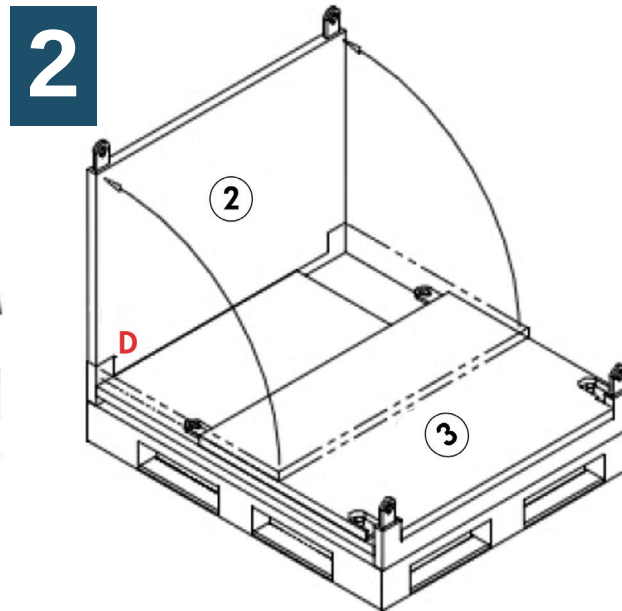


JMIC 3.0



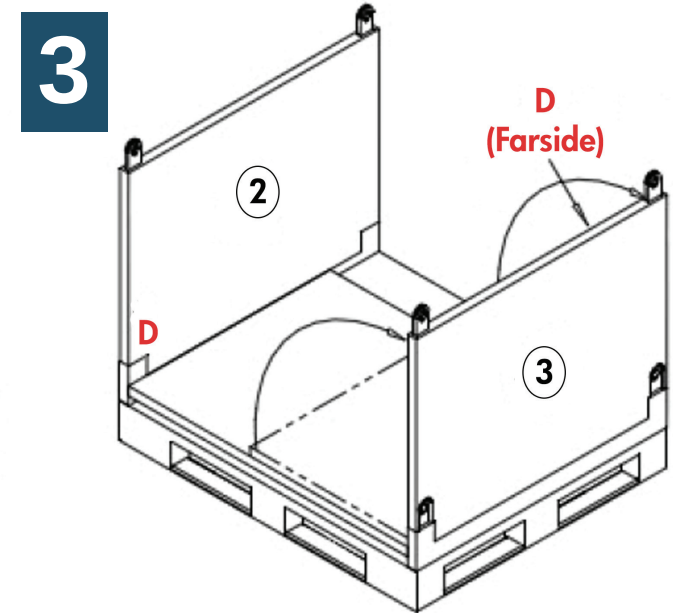
Open Latches A: Four (4) Places

Lift & Remove



Unfold Panel Two (2) to an Upright Position

Lock Latch D



Unfold Panel Three (3) to an Upright Position

Lock Latch D



"First in Logistics"

Garrett Container Systems, Inc.

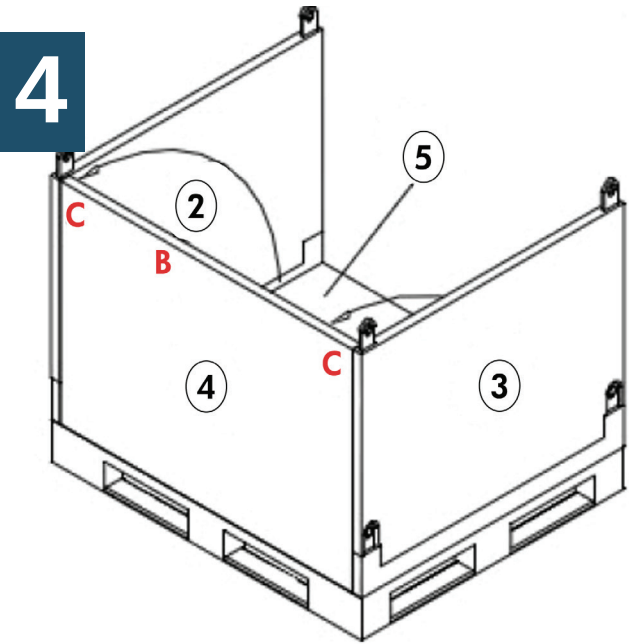
800-582-2540

301-746-8970

www.garrettcontainer.com

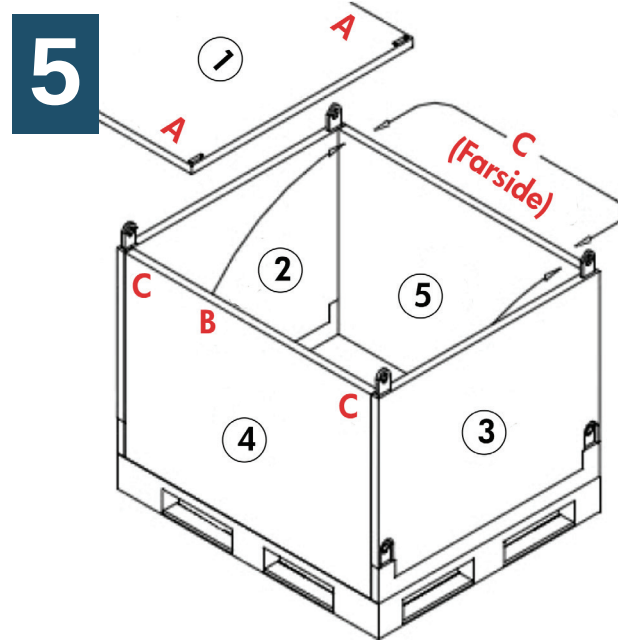
www.gcswarrior.com

OPERATION REFERENCE



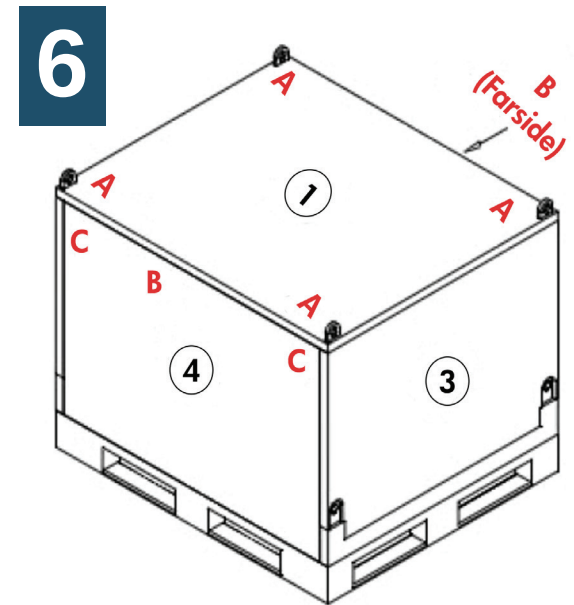
Unfold Panel 4 to an Upright Position

Lock Latches C, (2) Places



Unfold Panel 5 to an Upright Position

Lock Latches C, (2) Places



Replace 1 Panel

Open Latches A, (4) Places

Lower Panel 1 & Release Latches

Use Locking Latch B for Security Seal
or Padlock, if necessary

National Stock Numbers

Unpainted: 8145-01-558-1810

Green: 8145-01-588-1825

Tan: 8145-01-588-1830